


Air operated Pinch Valves type VT

Aluminium design with semi-silo trailer connection acc. to DIN28459



- Free passage
- Optimum tightness
- Low resistance
- No plugging
- Low weight
- Easy maintenance

 The ideal valve solution for abrasive, corrosive and fibrous products like granules, powders, solids of all kinds and so on.

Industrial areas:

- Silo-trailers
- Semi-trailers
- Haul trucks



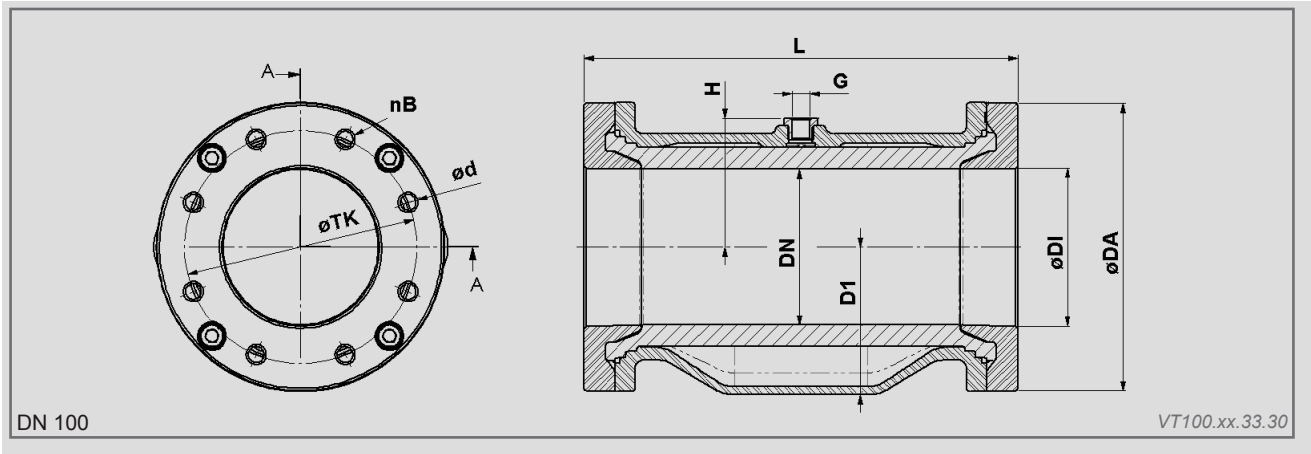
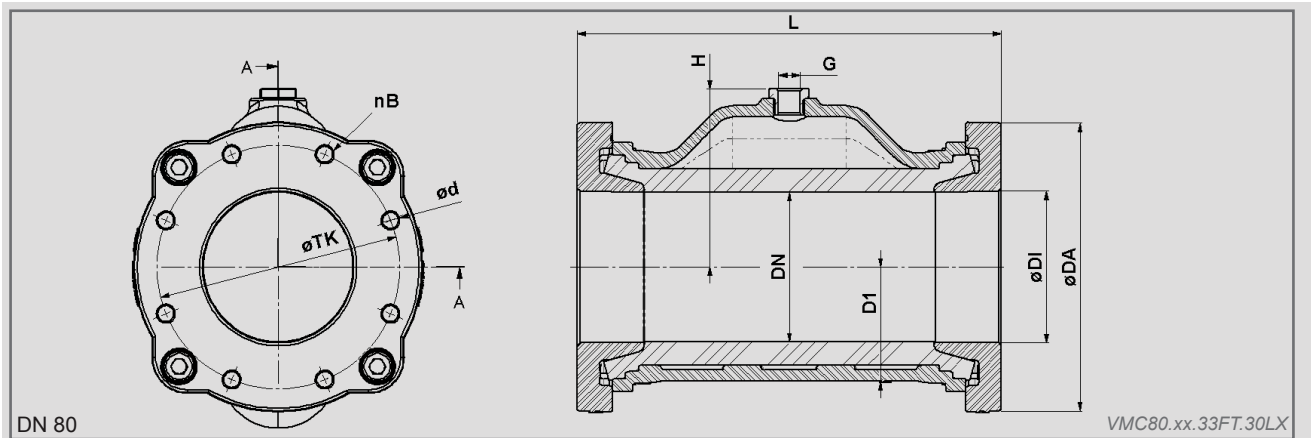
Pneutrol International Limited

UK Office
5 Caulside Drive, Antrim, BT41 2DU
United Kingdom
TEL: +44 (0) 28 9448 1800
www.concretespares.co.uk

sales@pneutrol.com

European Office
Unit 6, Saint Anthony's Business Park, Ballymount Road, D22 VW95
Ireland
TEL: +353 (0) 1 4373653
www.concretespares.ie

Air operated Pinch Valves type VT



DN /DI (mm)	DA (mm)	D1 (mm)	d (mm)	nB	screws	TK (mm)	L (mm)	H (mm)	G (inch)	PS max (bar)	weight (kg)	Volume (l)* (approx)
80	154,5	86	M10x1,5	8	4	130	227	95	G 1/4"	6	4,1	0,88
100	185	95	M12x1,75	8	4	150	280	83	G 1/4"	6	6,1	1,5

Volume = Control volume with closed sleeve

Materials:

Valve body: Aluminium unpainted, (DN80 painted)

Flange: Aluminium unpainted

Sleeves:

Natural rubber (NR) anti-abrasive, NR food quality, NR high temp., NBR, NBR food quality, EPDM, EPDM food quality, CR, IIR, CSM

Accessories:

Solenoid valves, pressure switch, safety arrangement, vacuum unit etc.

Pinch Valve Accessories to be found on our data sheet "Z01"-Pinch Valve Accessories.

Technical details subject to change without notice.

Pneutrol International Limited

UK Office
 5 Caulside Drive, Antrim, BT41 2DU
 United Kingdom
 TEL: +44 (0) 28 9448 1800
 www.concretespares.co.uk

sales@pneutrol.com

European Office
 Unit 6, Saint Anthony's Business Park, Ballymount Road, D22 VW95
 Ireland
 TEL: +353 (0) 1 4373653
 www.concretespares.ie