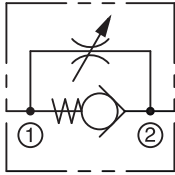


IN-LINE



**DESCRIPTION**

**A Variable Flow Restrictor with Positive Shut-Off and Free Reverse Flow**

A wide range of flow adjustment in the controlled flow direction is possible because of the fine thread and tapered needle. A spring biased ball check allows full flow in the opposite direction. Unwanted changes in adjustment are prevented by a lock nut.

- A wide range of flow adjustability
- Lock Nut to maintain flow setting
- Positive shut-off
- Eliminates need for extra pipe nipple

**SPECIFICATIONS**

**Maximum Operating Pressure (Non-Shock Service)**

Brass: 2,000 psi (138 bar)

**Cracking Pressure**

1 to 2.5 psi (.07 to .17 bar)

**Operating Temperature Range**

-15° to +400° F (-26° to +204° C)

**Threads**

NPTF

**Materials**

Body, Housing, Plug: Brass

Collar: Stainless Steel 303

Needle: Brass

O-Ring: Viton

Back-Up Washer: Teflon

Ball: Stainless Steel 440

Spring: Stainless Steel 302

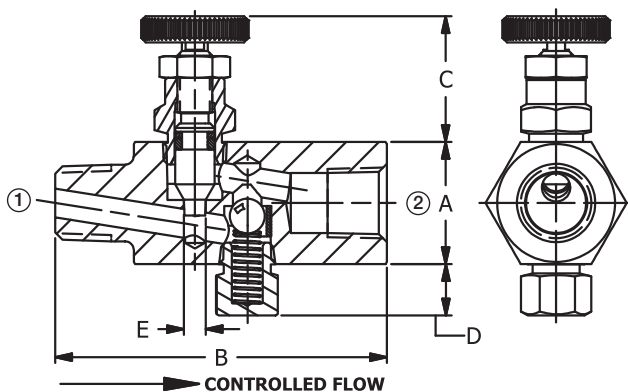
Lock Nut: Brass

Knob: Aluminum

**FLOW RATING**

Size	Max Recommended Flow gpm (lpm)	Co-Efficient (Cv Factor)
1/8"	1.5 (5.7)	.23
1/4"	3.0 (11.4)	.54
3/8"	5.0 (18.9)	.83
1/2"	8.0 (30.3)	1.47

**INSTALLATION DIMENSIONS**



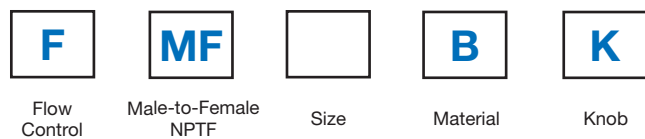
Pipe Size	A HEX	B	C	D	E Orifice
1/8"	11/16 (17.5)	1-3/4 (44.5)	7/8 (22.2)	13/64 (5.2)	.107 (2.7)
1/4"	7/8 (22.2)	2-3/8 (60.3)	1-1/16 (27.0)	23/64 (9.1)	.156 (4.0)
3/8"	1-1/16 (27.0)	2-3/4 (69.9)	1-3/16 (30.2)	11/32 (8.7)	.219 (5.6)
1/2"	1-5/16 (33.4)	3-3/16 (81.0)	1-15/32 (37.3)	15/32 (11.9)	.281 (7.1)

( ) Parentheses = Millimeters

Pneutrol International Limited

UK Office  
5 Caulside Drive, Antrim, BT41 2DU  
United Kingdom  
TEL: +44 (0) 28 9448 1800  
www.pneutrol.com/industrialspares

**HOW TO ORDER**



Code	Size
10	1/8"
20	1/4"
25	3/8"
30	1/2"

Code	Knob
K	Knob

Code	Material
B	Brass

**AVAILABLE MODEL CODES**

Size	NPTF Thread
	Brass
1/8"	FMF10BK
1/4"	FMF20BK
3/8"	FMF25BK
1/2"	FMF30BK

sales@pneutrol.com

European Office  
Unit 6, Saint Anthony's Business Park, Ballymount Road, D22 VW95  
Ireland  
TEL: +353 (0) 1 4373653  
www.pneutrol.com/industrialspares