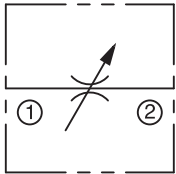


**N20-10S Needle Valve**  
Female-to-Female

IN-LINE



**DESCRIPTION**

**A Variable Flow Restrictor with Positive Shut-Off**

Ideally suited for use as a gauge shut-off valve, this right angle Pneu-Trol needle valve has 1/4" NPTF threads that mount directly into the gauge line. Flow is reduced to that of 1/8" needle valve for limited flow to gauge. This valve may also be used for low flow applications.

- 1/4" NPTF threads mount directly in gauge line
- Reduced flow to that of an 1/8" Needle Valve
- Aesthetically pleasing gold knob
- Lock Nut to maintain flow setting

**SPECIFICATIONS**

**Maximum Operating Pressure (Non-Shock Service)**

Carbon Steel: 5,000 psi (345 bar)

**Flow Rating**

Maximum Recommended Flow: 3.2 gpm (12.1 lpm)

**Operating Temperature Range**

-15° to +400° F (-26° to +204° C)

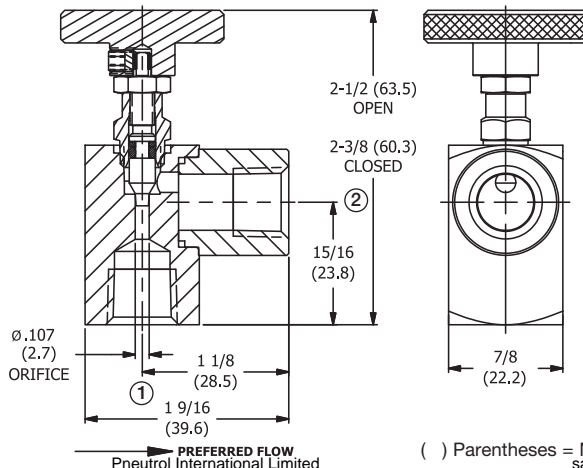
**Threads**

NPTF 1/4"

**Materials**

- Body, Housing: Steel
- Needle: Stainless Steel 416
- O-Ring: Viton
- Back-Up Washer: Teflon
- Lock Nut: Steel
- Knob: Gold Anodized Aluminum
- Set Screw: Steel

**INSTALLATION DIMENSIONS**



Pneutrol International Limited

( ) Parentheses = Millimeters  
sales@pneutrol.com

**HOW TO ORDER**



Needle Valve      Size      Flow      Material

Code	Size
20	1/4" NPTF

Code	Flow
10	1/8" Needle Valve

Code	Material
S	Carbon Steel